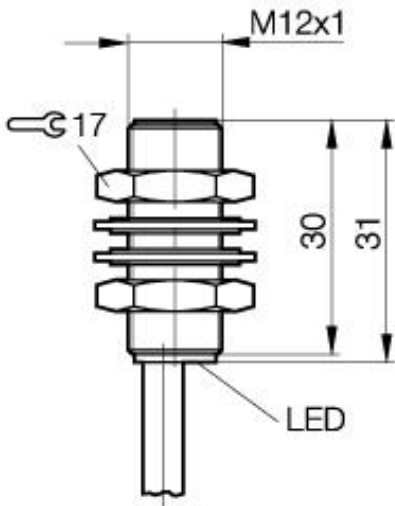


Inductive Sensors
BES 516-329-G-E4-Y-PU-05
M12x1 x 31
normally-open
Sn=4mm
shielded



PX0818

Common Data

| | |
|--------------------------------|-------------|
| Mounting in steel | shielded |
| Rated operating distance Sn | 4mm |
| Assured operating distance Sa | 0...3.2mm |
| Repeatability R | ≤ 5% |
| Hysteresis | ≤ 15% |
| Function indication | yes |
| Ambient temperature range | -25...+70°C |
| Pollution Degree | 3 |
| Time delay before availability | ≤ 10ms |

Mechanical Data

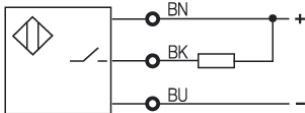
| | |
|---|---------------------|
| Measurements BxHxT or DxT | M12x1 x 31mm |
| Housing material | Nickel plated brass |
| Material of sensing face | PA 12 |
| Degree of protection | IP67IP |
| Connection | Cable |
| Cable type | LifY-Y-11Y-O |
| Schock: Halfsinus, 30 gn, 11ms | |
| Vibration: 55 Hz, 1mm Amplitude, 3 x 30 Minutes | |

Electrical Data

| | |
|-------------------------------------|---------------|
| Current type | DC |
| Wiring | 3-Wire |
| switching function | normally-open |
| Output signal | NPN |
| Rated operational voltage | 24 DCV |
| Rated operational current | 130mA |
| Supply voltage | 10...30 DCV |
| Ripple | ≤ 15% |
| max. switching frequency | 400Hz |
| No-load supply current | ≤ 25/≤ 12mA |
| Off-state current | ≤ 80µA |
| Voltage drop | ≤ 3.5/-V |
| Short circuit protection | yes |
| Protected against polarity reversal | yes |

Remarks

Mounting Instructions 825357



Utilization categories
 Insulation class

DC 13

Datasheet number:

Definitions see general catalog.
 If not otherwise noted, ratings according to
 IEC 60947-5-2 (DIN EN60947-5-2)

Balluff GmbH
 Schurwaldstrasse 9
 73765 Neuhausen a.d.F.
 Phone (07158) 173-0 Fax (07158) 5010

Datenblatt by CD-ROM - 04/2007

BALLUFF
 sensors worldwide